



## Have Legacy RTUs? Deterred by the High Cost of Complete Replacement?

Many utilities have a large installed base of older technology RTUs, and are concerned about their options due to:

- Uncertainty over product obsolescence
- Limited or non-existent support
- Impending loss of workforce experience
- Large I/O point counts and wiring terminations
- Inability to utilize modern, open protocols
- Unable to take advantage of IP based networks
- Narrowed Cyber Security and Smart Grid capabilities

## A Cost-Effective Migration Solution

A modern and modular RTU platform which is plug-compatible with your existing I/O hardware and wiring will save your investment in installation, wiring, training and spares, yet permit you to use the very latest protocols, communications technology, IED interfaces, local HMI and NERC/NIST cyber security solutions.

Using RTU specific termination board adapters, the existing wiring terminations remain undisturbed, while the main processor components are replaced. Field labor, engineering and equipment costs are avoided, new modern functionality achieved, and you can worry about bigger problems.

## Enable Smart Substations Today Extend Legacy Past RTU Investments

### Meeting your Current Substation Automation Objectives While Making the Most of your Existing RTU Investment:

Low-Risk, Low-Cost Upgrade Path for Existing RTUs

Preserves RTU I/O Wiring, Terminations, and Even Modules

Ease of Installation Minimizes RTU Downtime

Provides the Latest in Secure Communications Capabilities to Existing Substations

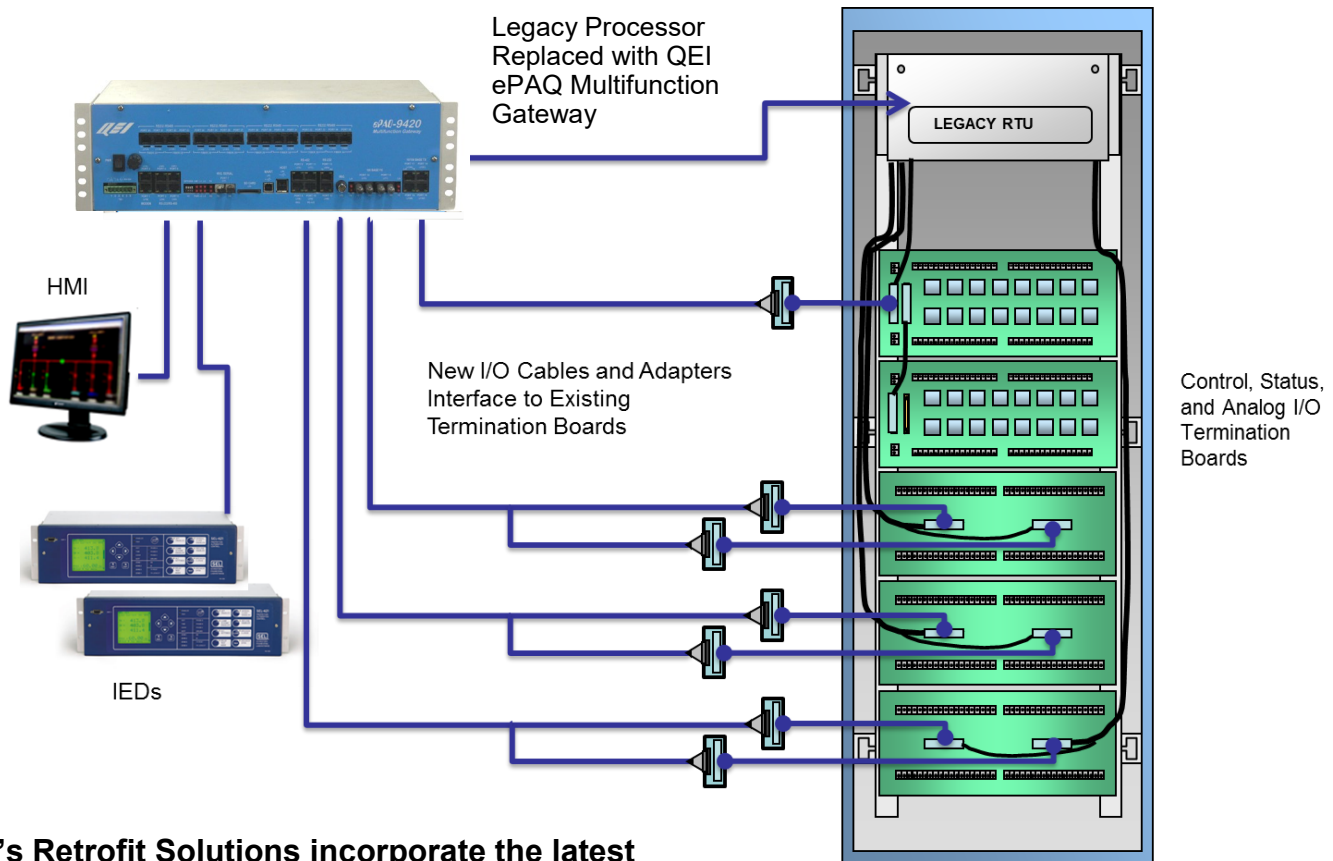
Integrate the Newest IEDs using Modern Protocols

Painlessly Add Modern Substation Automation features

Seamlessly Continue Operations when RTU is Finally Retired

Retrofit Solutions Include CDC, Hathaway, Tejas, D20, and others

# Substation RTU Upgrades



## QEI's Retrofit Solutions incorporate the latest technologies to provide:

- A Modular Intelligent Gateway based platform to suit any size substation
- Flexible and scalable retrofit configurations for specific legacy RTUs
- IED connectivity with large IED protocol library
- Multiple Master support with modern and legacy protocols
- IP-based networking support
- Remote access to IEDs for non-operational data
- IRIG-B System time synchronization and SOE logging
- Support for custom automation applications
- Local HMI
- Full NERC/NIST security features
- Friendly and easy Windows based configuration and diagnostic tools
- Direct connections to your existing RTU's discrete I/O modules
- No need for labor intensive rewiring of I/O
- Port existing user applications
- Minimal engineering and commissioning needed
- Immediate readiness for TCP/IP access

**QEI, LLC**  
 45 Fadem Road  
 Springfield, NJ 07081 USA  
 T: +973-379-7400 F: +973-379-2138  
 E: [sales@qeinc.com](mailto:sales@qeinc.com)  
 W: [www.qeinc.com](http://www.qeinc.com)

This literature is for illustration purposes only, and is not part of any contract. As we have a policy of continuous product improvement, any features may be modified without notice. All trademarks and names mentioned in this document remain the exclusive property of their holder.

V1.6 3/24