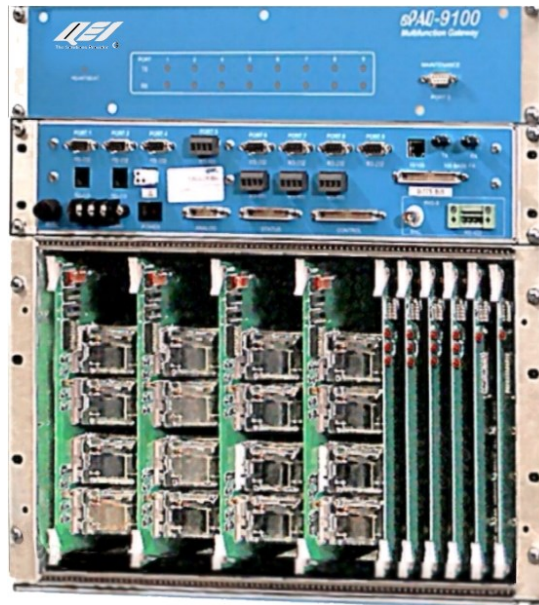
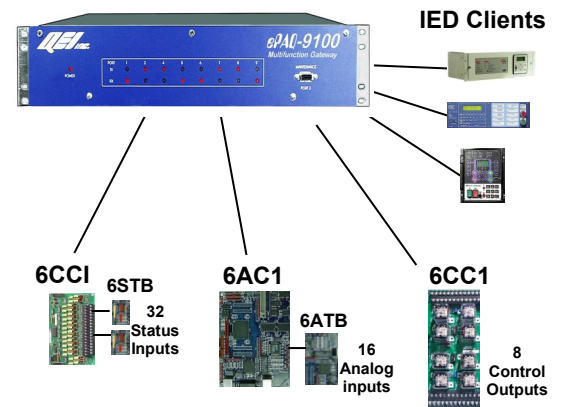


High Density Multifunction Gateway

ePAQ-9180 High Density Point Count Multifunction Gateway



ePAQ-9180



Legacy RTU installations often have high status, analog and control point counts to support a variety of hardwired points, control relays and transducer banks. While modern Intelligent Electronic Devices (IEDs) provide this input for newer installations, it is just not cost effective to upgrade all points immediately. The ePAQ-9180 high density Multifunction Gateway provides a means of easing the transition to IED connectivity, while preserving you considerable investment in existing wiring and transducers.

The ePAQ-9180, with high density I/O, consists of a rack mounted ePAQ substation gateway with one or more high density card cages to contain the status, analog and control boards.

There are three models of card frames: the 6HD1, 6HD2, and 6HD3 with six, twelve and eighteen total status and analog card slots per frame. (respectively). All three versions have four slots dedicated to control cards. In all versions, status and analog field terminations are to externally mounted 6STB and 6ATB cards (respectively). Control terminations are made to the reverse of the frame itself.

If more I/O is required, additional card cages may be daisy-chained together thereby providing the capacity to handle the needed hardwired I/O points.

In addition to this high hardwired I/O capacity, the ePAQ-9180 also has RS-232, RS-485, and fiber optic connections for both master station and IED communication capability. The number of serial communications ports number may be expanded up to 40. TCP/IP connectivity is provided through two ethernet ports for either communications or configuration. A large library of current and legacy protocols is available for communications with master stations and IEDs.

The data points for I/O boards and IEDs are mapped for communications to the master station or to other ports using our Windows® based **CONFIGWIZ®** software. Any value retrieved from an IED or hardwired input may be mapped to one or more communications ports regardless of protocol, communications medium, baud rate or polling method.

High Density Multifunction Gateway

ePAQ-9180 High Density Gateway

Ideal for Legacy Substations Which Need Updating to Full Productivity

The ePAQ-9180 is very useful for matching legacy communication channels and protocols to your current enterprise network.

ePAQ-9180 Features:

- Server Protocols (to master station): DNP3 (Serial and over IP with secure authentication), L&G 8979 (Serial and over IP), Modbus (RTU and TCP), QUICS (Serial and over IP), Tejas/Valmet Series III/IV, BETAC, CDC I & II, Conitel, and others.
- Client Protocols (to IEDs): DNP3 (serial and over IP with secure authentication), Modbus (RTU and TCP), SEL Fastmeter/ASCII with device discovery.
- Local or remote web browser interface.
- Programmable Logic and Communications Control (PLCC) capability for user defined closed loop control algorithms such as for Volt-VAR control, or for substation data reduction.
- Hardwired I/O limits: 1024 status, 128 analog + control
- Configuration is accomplished through secure CONFIGWIZ® management program via local maintenance port or local/remote IP connection. A full complement of data filtering, port switching, IED I/O control, and other

CONFIGWIZ® Software for Easier Setup



ConfigWiz provides a drag & drop, Windows® user interface which prompts the technician through the steps required to define a gateway or RTU:

- configuration of all communication ports
- selection of IED communication clients
- selection of Master Station communication servers
- mapping of the data points between the gateway's IED client database and Master Station server database

When the configuration process is complete, the resultant gateway configuration file is PC archived for long term storage, and then compiled and downloaded into the ePAQ-9180 for execution.

management/diagnostic functions are present.

- 1 msec Sequence-of-Events (SOE) status and optional IRIG-B clock input.
- Power supply: 120VAC, 24VDC, 48VDC or 125VDC.

For additional information contact your local QEIs USA representative or contact:

sales@qeinc.com

QEI, LLC

45 Fadem Road
Springfield, NJ 07081 USA
T: +973-379-7400 F: +973-379-2138
E: sales@qeinc.com
W: www.qeinc.com

This literature is for illustration purposes only, and is not part of any contract. As we have a policy of continuous product improvement, any features may be modified without notice. All trademarks and names mentioned in this document remain the exclusive property of their holder.

V1.2 4/19

