

# Substation RTU 6CPP6 Processor Upgrade

Enable Smart Substations  
Today  
Extend RTU Investment



## RTU Upgrade Solutions

- Bring the ePAQ-94XX closer to the IEDs, especially if they are communicating via RS-232 where the cable length must be less than 100FT. The processor can still poll the existing I/O Boards via RS-422, or Fiber over greater distances .
- Integrate IEDs inside and outside the existing substation.
- 6CPP6 database configuration can be duplicated and transferred to the ePAQ-94XX Family, this solution provides you:
  - Reduce wiring, test labor and Engineering labor cost associated with RTU replacement
  - Eliminate substation drawing update, and master database revision / rework
  - Reduce the necessary time to modernize the existing installation from weeks to days, or even hours
  - Keep the existing I/O boards, and ability to replace failing I/O board one by one, plus the ability to add Modern I/O boards.

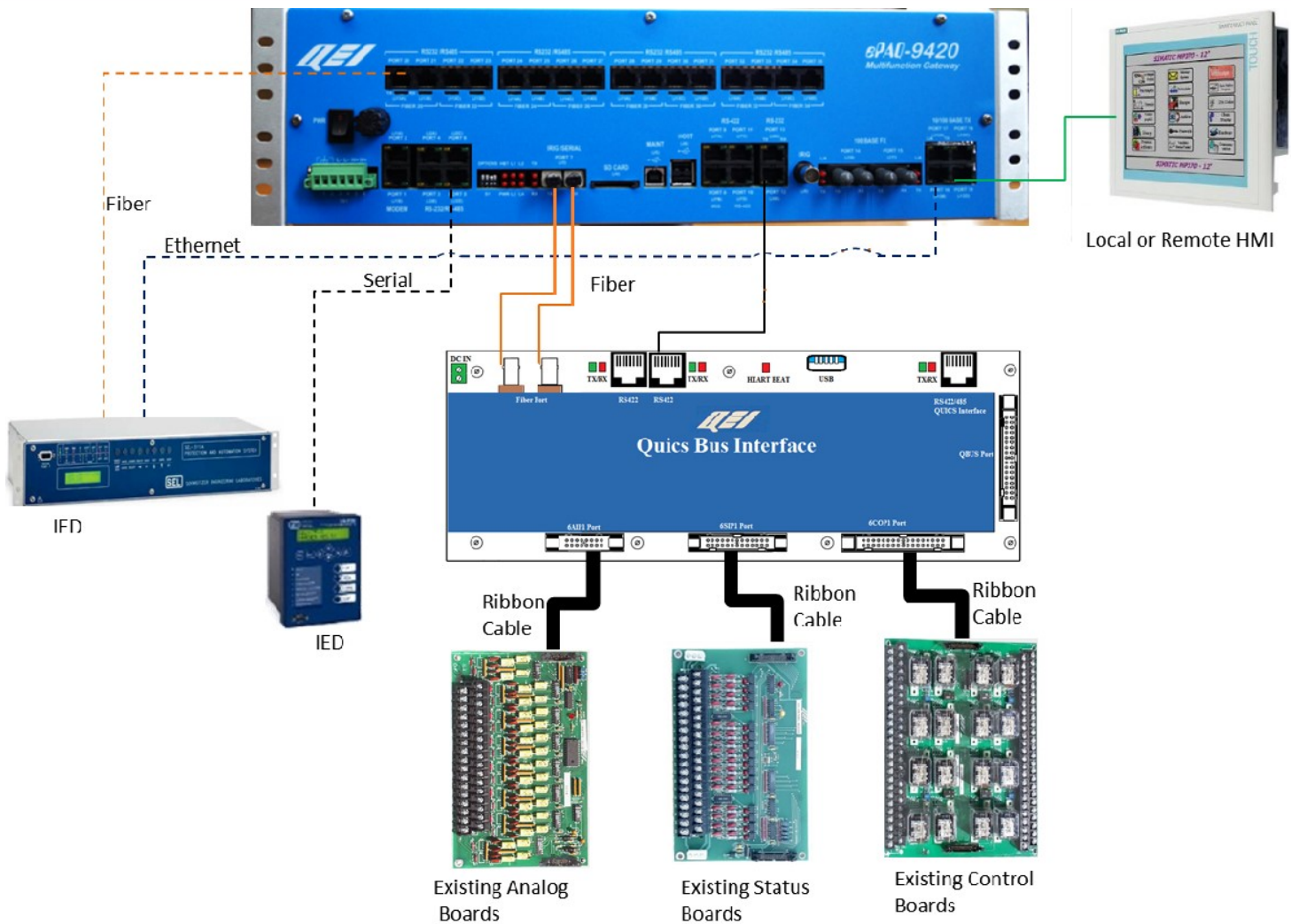
## Do You Need to Upgrade & Preserve Your Existing RTU INVESTMENT?

The key to vast saving in time and money lies in our upgrade solution, which allows you leaving the local IO terminations and original I/O wiring in place.

## Are You Looking for MODERN Technology & More Communication Ports?

The ePAQ-94XX Multifunction Gateways are the solution:

- Interface with all devices using any open Protocol and over any media
- Choice of RJ-45 or DB-9 Serial Port Connections
- Redundant architecture for critical applications
- Easy, Modular Expansion for additional Hardware I/O Points
- Embedded Web Server and HMI for Local or Remote Display and Configuration



## Upgrade Versus Replacement

- Low-Risk, Low-Cost Upgrade Path for Existing RTUs
- Preserves RTU I/O Wiring, Terminations
- Ease of Installation, Minimizes RTU Downtime
- Expandable Communication ports
- Ability of Multiple Master Communication Ports and Protocols to Share Data with other Utilities

## Specifications

- Input Power: +12Vdc nominal at 200mA:
- Size: 11.75" W x 4.25" H x 2.0" D.
- Panel Mount (swage-on standoffs).
- Supports: Sixteen 6SIP1 Panels, Eight 6AIP1 Panels, Sixteen 6COP1 Panels, One 6IOP1.
- Communications: Two Isolated RS-422 ports (supports Redundant RTUs), or one Serial Fiber port.
- Environmental: -40C to +85C, SWC to ANSI C37.90.1

## QEI

45 Fadem Road  
 Springfield, NJ 07081 USA  
 T: +973-379-7400 F: +973-379-2138  
 E: [sales@qeinc.com](mailto:sales@qeinc.com)  
 W: [www.qeinc.com](http://www.qeinc.com)

This literature is for illustration purposes only, and is not part of any contract. As we have a policy of continuous product improvement, any features may be modified without notice. All trademarks and names mentioned in this document remain the exclusive property of their holder.

V1.0 11/2018

