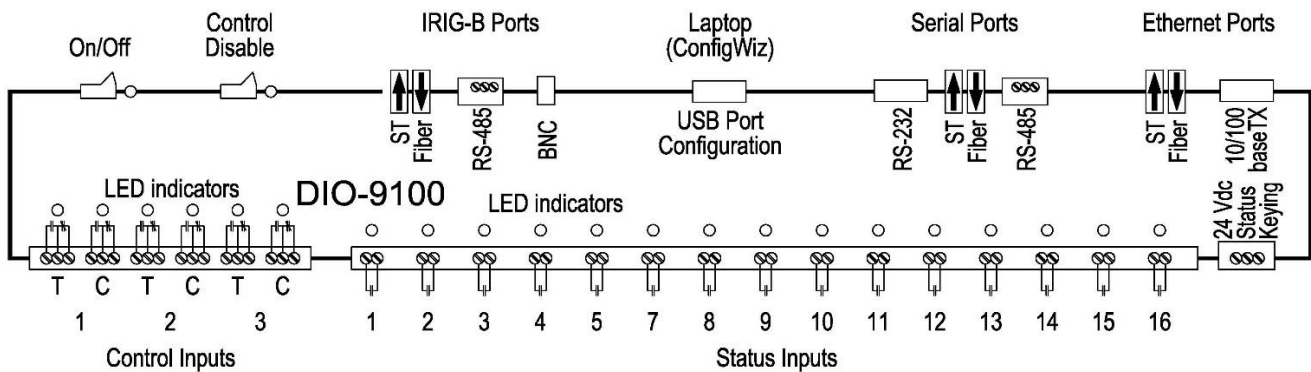
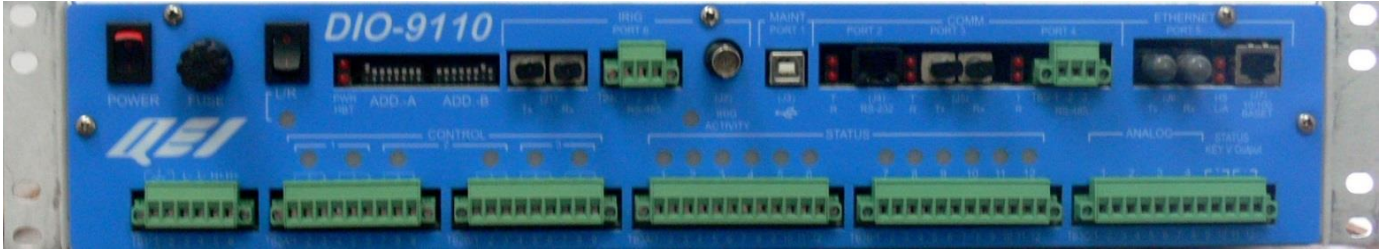
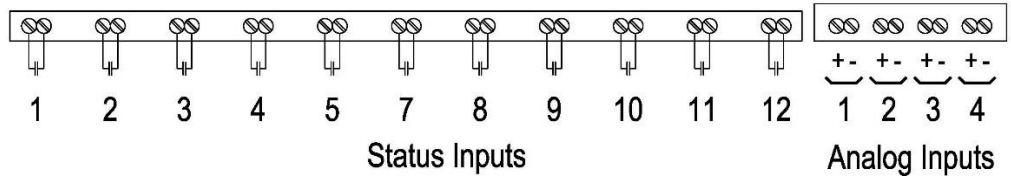


## DIO-9100/9110 Distributed I/O



### DIO-9100 Option



### Distributed I/O Within the Substation or on the Distribution Feeder

The QEI DIO-9100/9110 will interface with status, analog, control and accumulator points within your substation, or beyond, using hardwired inputs and industry standard protocols such as **MODBUS or DNP3**. Able to be mounted within your substation 19" racks, or within pole-top enclosures out on the distribution feeder. It can serve as a cost effective, general purpose RTU or data concentrator for an IED throughout your system.

The DIO-9100 provides status, control and IED I/O, while the DIO-9110 can additionally support standard Transducer-based analog inputs. Configuration is with our Windows® based ConfigWiz®.

- **Cabinet or Rack Mounted, 2U**
- **Able to use DNP3 or Modbus Protocol (Client and Server)**
- **Expandable to include DC Analog Inputs**
- **Configuration through ConfigWiz 2.0® and 1.0® Windows Software**
- **Front Panel LED Indicators for easy assessment of operation**

## SPECIFICATIONS

---

Control Outputs	3 control points (each with 2 momentary or 1 latching relay) Form C contacts, 10 amps @ 28 Vdc/120 Vac Optional momentary relays: Form A contacts, 10 amps @ 130 Vdc Highly secure select-before-operate (SBO) controls Internal log file of any failed controls and locally initiated controls
Status Inputs	16 contact inputs (configurable as pulse accumulators) optically isolated 1 msec Sequence-of-Events (SOE) time tagging 24 Vdc keying voltage generated by the DIO-9100/9110
Analog Inputs	4 analog inputs (with 12 status inputs) (DIO-9110 only) +/- 0-1 mA dc, or 4-20 ma, 0-5 Vdc standard scaling
Communication Ports	Network: 10/100BaseTX, 100BaseFX Multi-Mode (ST Connectors) Serial: RS-232 (RJ45 Connector) RS-485 (Terminal Block) Multimode Fiber Optic (ST Connector) Fiber, RS-485 and BNC IRIG-B input for internal clock synchronization USB Port for local laptop/PC configuration
Server Protocols	DNP3 or Modbus. Maximum of one (1) server protocol.
Client Protocols	DNP3 or Modbus. Maximum of one (1) client protocol.
Power	12-24 Vdc, 48-130 Vdc, 120-277 Vac 50/60 Hz, 50 watts
LED Indicators	16 status input indications 6 control relay state indications Serial, Ethernet & IRIG-B port activity indications Local control disable switch indication Power On/Off indication
Physical	3.5"H x 17"W x 5"D metal enclosure, surface/19" Rack/DIN Rail mounting
Environment	-40° to +85°C, (-40° to 185°F) 0-95% humidity (non-condensing)

---

### **QEI LLC**

45 Fadem Road  
Springfield, NJ 07081 USA  
T: +973-379-7400 F: +973-379-2138  
E: [sales@qeinc.com](mailto:sales@qeinc.com)  
W: [www.qeinc.com](http://www.qeinc.com)

This literature is for illustration purposes only and is not part of any contract. Features may be modified at any time without notice. All trademarks and names mentioned in this document remain the exclusive property of their holder.

V 2.7 1/19

